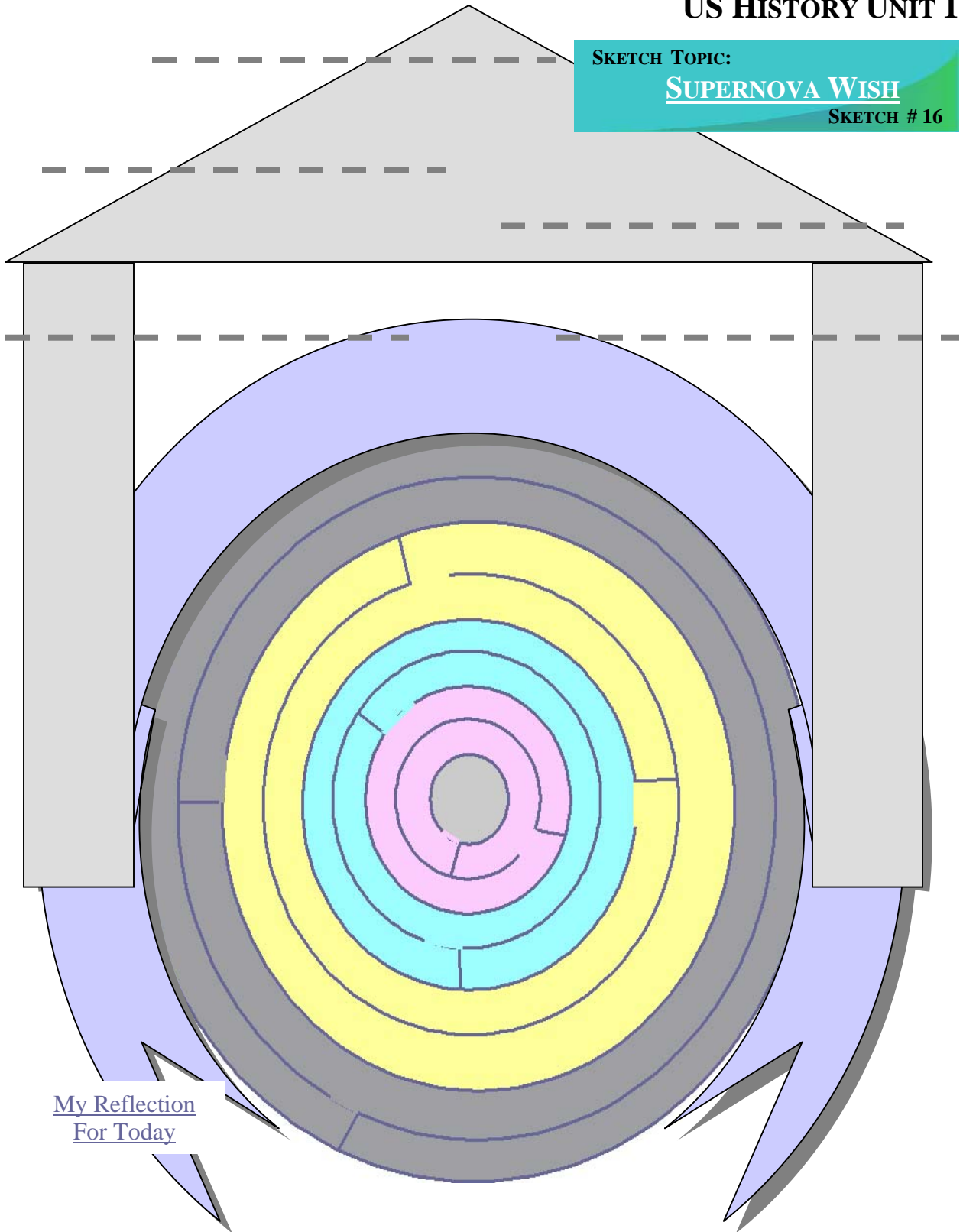


US HISTORY UNIT 1

SKETCH TOPIC:

SUPERNOVA WISH

SKETCH # 16



My Reflection
For Today

Name: _____
Date: _____